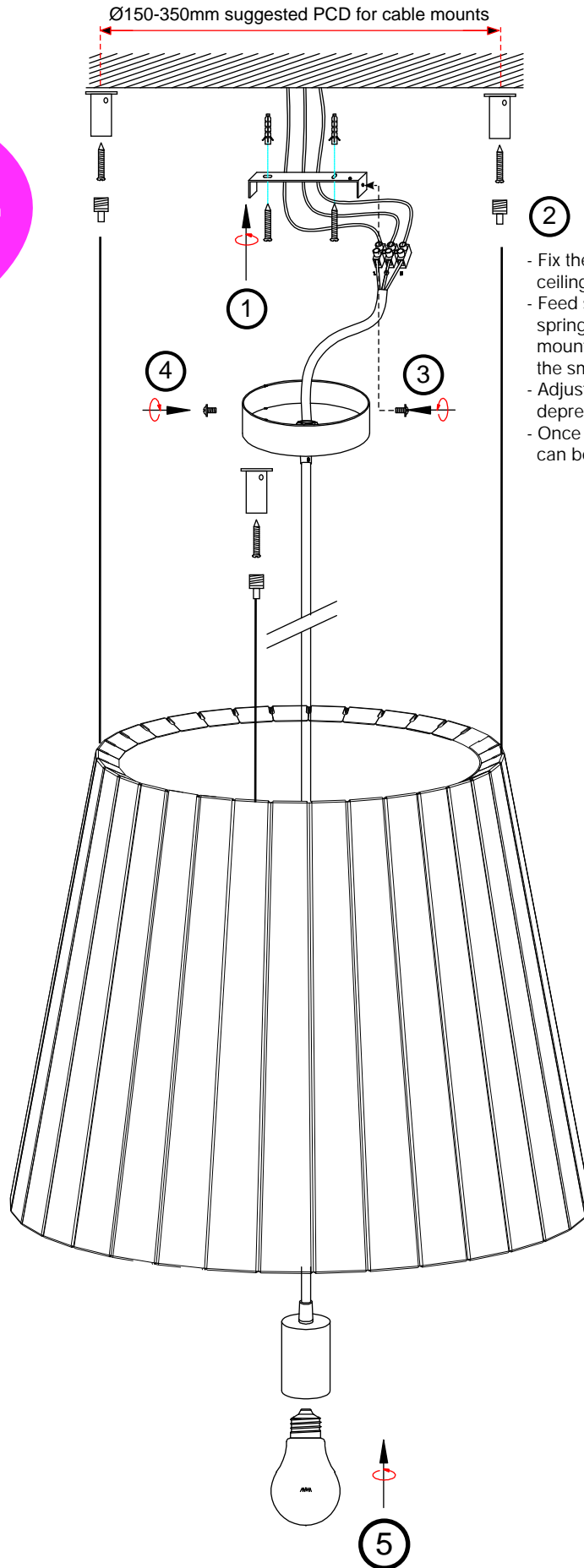


# vapor pendant installation guide



note: canopy, lampholder & terminal blocks, supplied separately to shade

- 2 - Fix the 3 chrome ceiling mounts at 120degrees on ceiling using appropriate fastener for the material.
- Feed suspension cable through the spring loaded cable clamp and into the ceiling mount making sure the cable exits through the small side hole in the mount.
- Adjust shade height & level out by depression the cable clamp.
- Once in position, excess suspension cable can be trimmed.

Max. 60W ES Lamp  
Line voltage must be installed by a qualified Electrician, in accordance with local electrical laws

1/66 McLachlan Street Fortitude Valley Q Australia 4006  
p +61 7 3257 2822 f +61 7 3257 2844  
[info@luxxbox.com](mailto:info@luxxbox.com) luxxbox.com www.objx.com.au

ceiling mount option

